

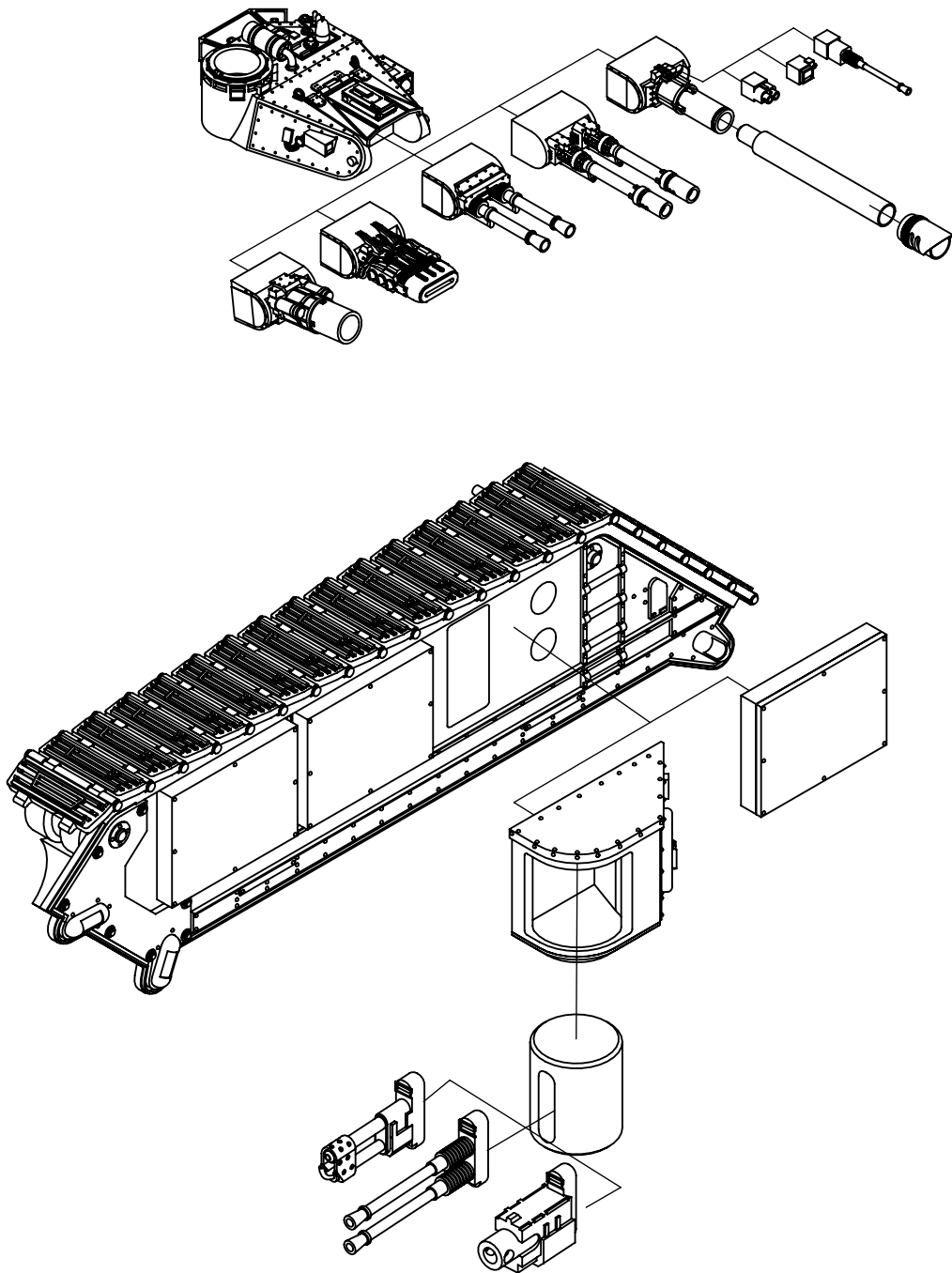
A

B

C

D

E



UNLESS OTHERWISE SPECIFIED:
 DIMENSIONS ARE IN MILLIMETERS
 SURFACE FINISH:
 TOLERANCES:
 LINEAR:
 ANGULAR:

FINISH:

DEBUR AND
 BREAK SHARP
 EDGES

DO NOT SCALE DRAWING

REVISION

	NAME	SIGNATURE	DATE		
DRAWN					
CHKD					
APPV'D					
MFG					
Q.A					

TITLE:	
DWG NO.	Bauanleitung 2
	A4
SCALE: 1:5	SHEET 1 OF 2

MATERIAL:

WEIGHT:

DWG NO.

SCALE: 1:5

SHEET 1 OF 2

